

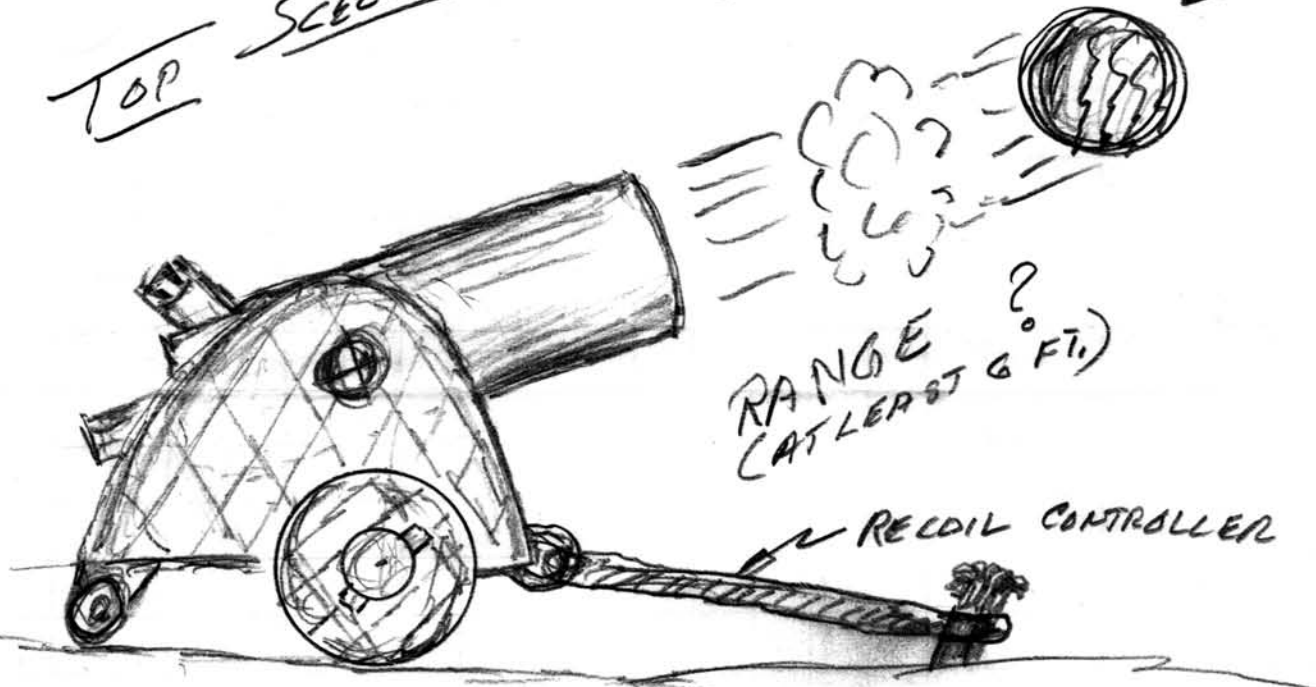
7 inch Watermelon Mortar

By Outback Eng. Co.

08-10-07

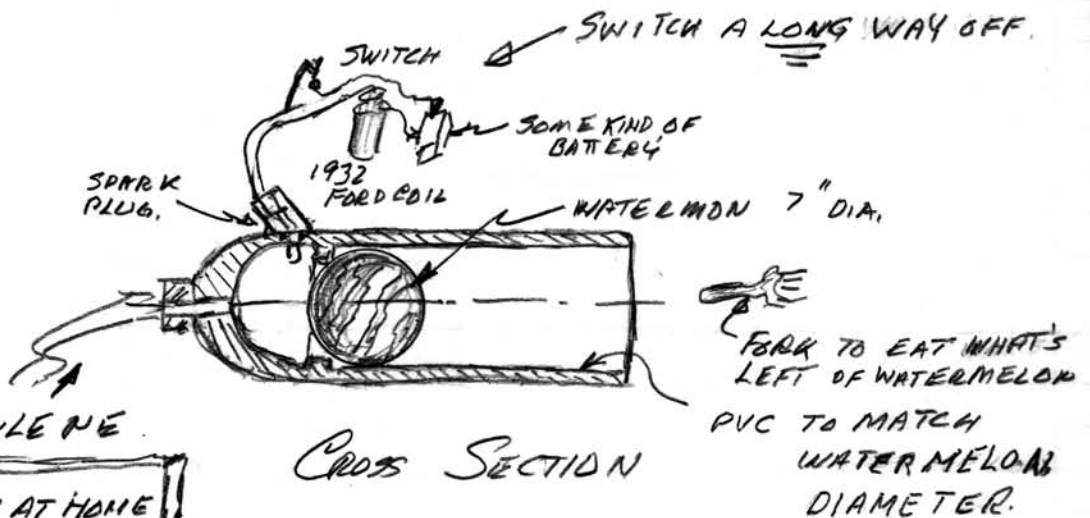
TOP SECRET

WATERMELON
(RIPE IF POSSIBLE)



RANGE
(AT LEAST 6 FT.)

RECOIL CONTROLLER



ACETYLENE

DO NOT TRY THIS AT HOME
WE'RE KNOWN AS
EXPERTS !!!!!

ADDITIONAL DETAILS SECRET.